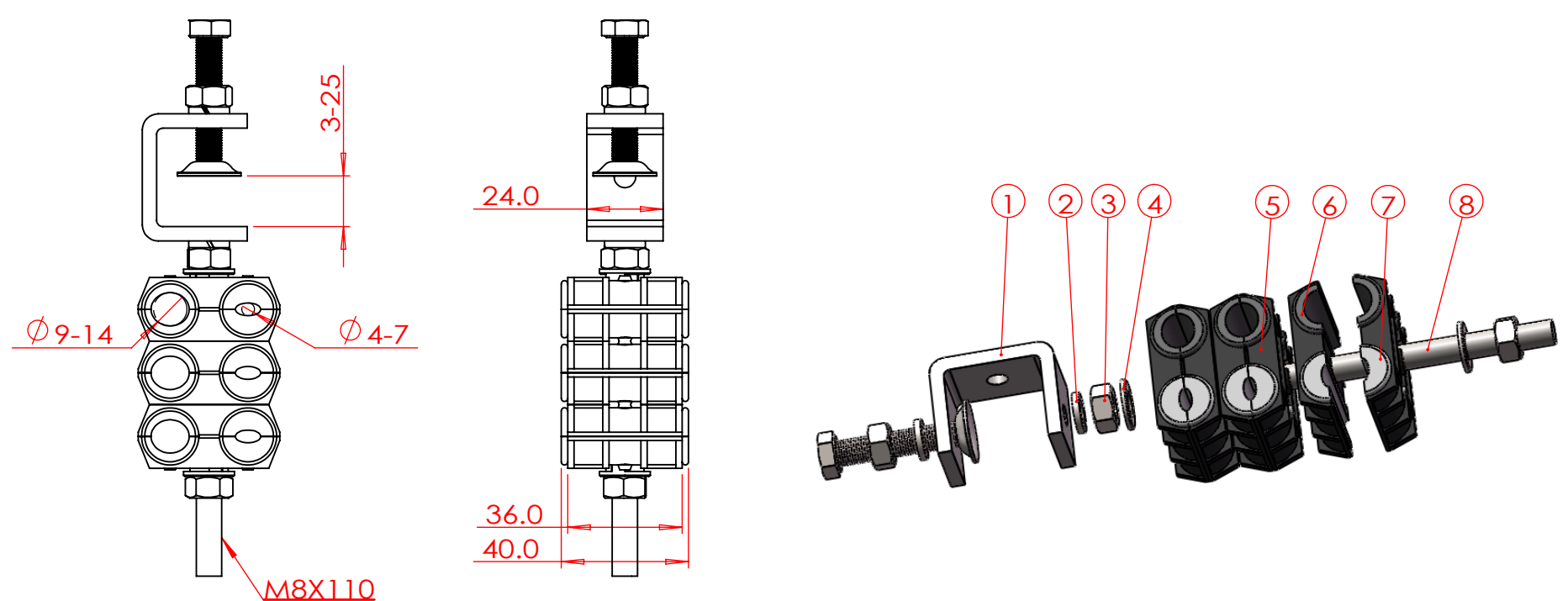


6		7	8
REV	EAC NO.	DESCRIPTION	



RELEASE LEVEL:  
FILE NAME:

**MAXDAO** 江苏迈道通信科技有限公司

TITLE: 9-14mm+4-7mm cable clamp	
UNITS: mm	DWG NO.: 10001283
FINISH:	DWG VER: A
MASS(Kg):	ITEM NO.:
SCALE: 1:2	ITEM REV:
SHEET: 1 OF 1	MAT'L:

MAXDAO LIMITED RESERVES THE RIGHT TO CHANGE SPECIFICATION OR CONFIGURATION WITHOUT PRIOR NOTIFICATION. THESE DRAWINGS AND SPECIFICATIONS ARE THE PROPERTY OF MAXDAO LIMITED AND SHOULD NOT BE REPRODUCED OR COPIED WITHOUT WRITTEN PERMISSION.

DRAW: XUDEYA	DATE: 2017-09-07
CHKD:	DATE:
VRFD:	DATE:
APPD:	DATE:
PRODUCT:	☞