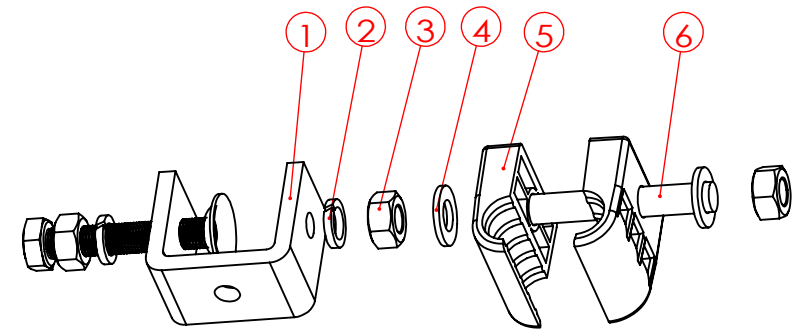
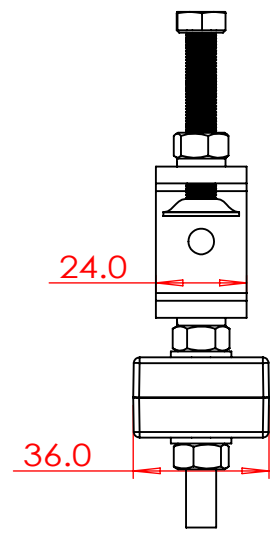
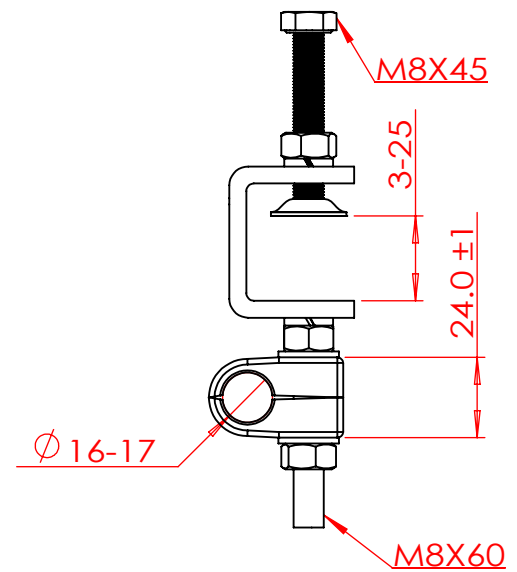


6	7	8
REV	EAC NO.	DESCRIPTION



技术要求：  
 1.牙条连接U型件处牙条不突出到U型件内  
 2.牙条连接U型件处螺母紧定

RELEASE LEVEL:  
 FILE NAME:

<p><b>MAXDAO</b> 江苏迈道通信科技有限公司</p> <p>MAXDAO LIMITED RESERVES THE RIGHT TO CHANGE SPECIFICATION OR CONFIGURATION WITHOUT PRIOR NOTIFICATION. THESE DRAWINGS AND SPECIFICATIONS ARE THE PROPERTY OF MAXDAO LIMITED AND SHOULD NOT BE REPRODUCED OR COPIED WITHOUT WRITTEN PERMISSION.</p>	DRAW: JACKJI CHKD: VRFD: APPD: PRODUCT:	DATE: 2017-03-28 DATE: DATE: DATE: 	TITLE: 1/2 cable clamp UNITS: mm FINISH: 10001537 MASS(Kg): SCALE: 1:1 SHEET: 1 OF 1	DWG NO.: ITEM NO.: DWG VER: A ITEM REV:
---	---	---	---	--