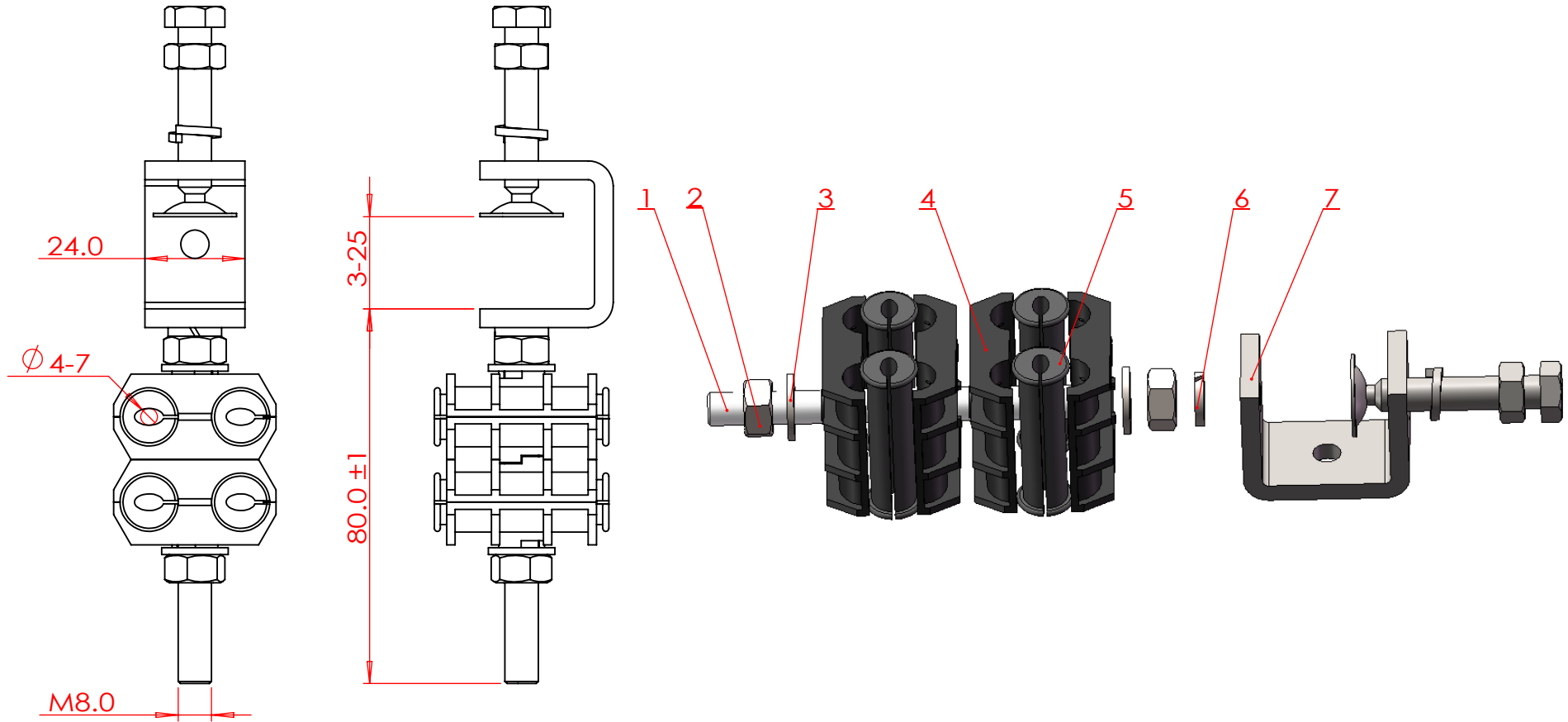


6		7	8
REV	EAC NO.	DESCRIPTION	



RELEASE LEVEL:
FILE NAME:

<p>MAXDAO 江苏迈道通信科技有限公司</p> <p>MAXDAO LIMITED RESERVES THE RIGHT TO CHANGE SPECIFICATION OR CONFIGURATION WITHOUT PRIOR NOTIFICATION. THESE DRAWINGS AND SPECIFICATIONS ARE THE PROPERTY OF MAXDAO LIMITED AND SHOULD NOT BE REPRODUCED OR COPIED WITHOUT WRITTEN PERMISSION.</p>	DRAW: JACKJI	DATE: 2017-03-28	UNITS: mm	DWG NO.: 10002146	DWG VER: A
	CHKD:	DATE:	FINISH:	ITEM NO.:	ITEM REV:
	VRFD:	DATE:	MASS(Kg):		
	APPD:	DATE:	SCALE: 1:1		
	PRODUCT:		SHEET: 1 OF 1	MAT'L:	