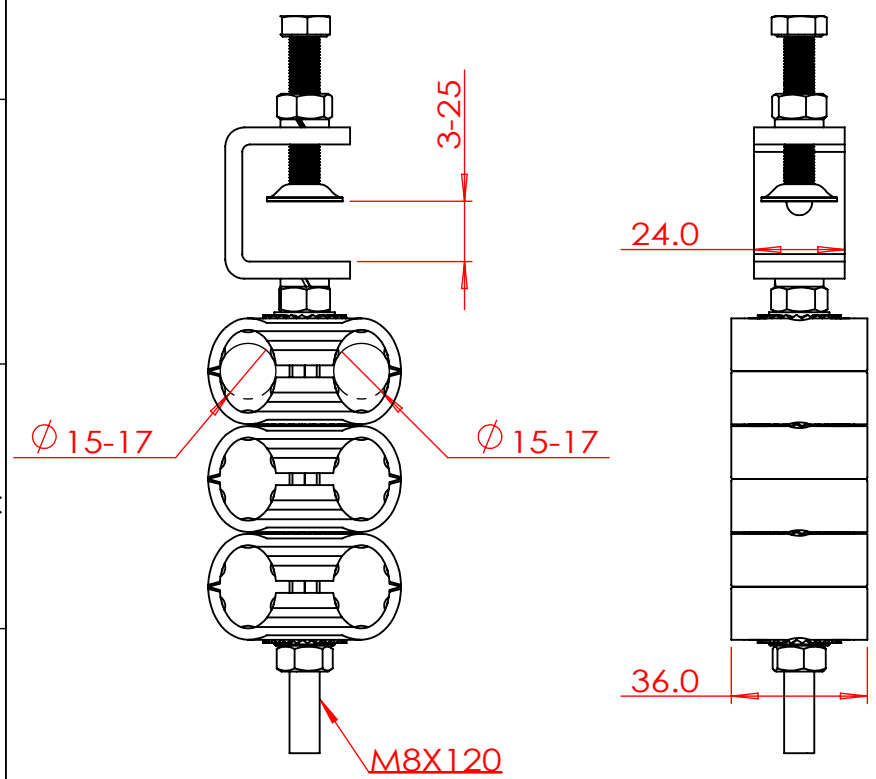


6	7	8
REV	EAC NO.	DESCRIPTION



RELEASE LEVEL:
FILE NAME:

MAXDAO

江苏迈道通信科技有限公司

TITLE:		15-17mm cable clamp	
DRAW:	XUDEYA	DATE:	2017-09-07
CHKD:		FINISH:	
VRFD:		SCALE:	1:2
APPD:		SHEET:	1 OF 1
PRODUCT:		MAT'L:	
UNITS:	mm	DWG NO.:	10002201
VRFD:		ITEM NO.:	
DATE:		DWG VER:	A
DATE:		ITEM REV:	

MAXDAO LIMITED RESERVES THE RIGHT TO CHANGE SPECIFICATION OR CONFIGURATION WITHOUT PRIOR NOTIFICATION. THESE DRAWINGS AND SPECIFICATIONS ARE THE PROPERTY OF MAXDAO LIMITED AND SHOULD NOT BE REPRODUCED OR COPIED WITHOUT WRITTEN PERMISSION.