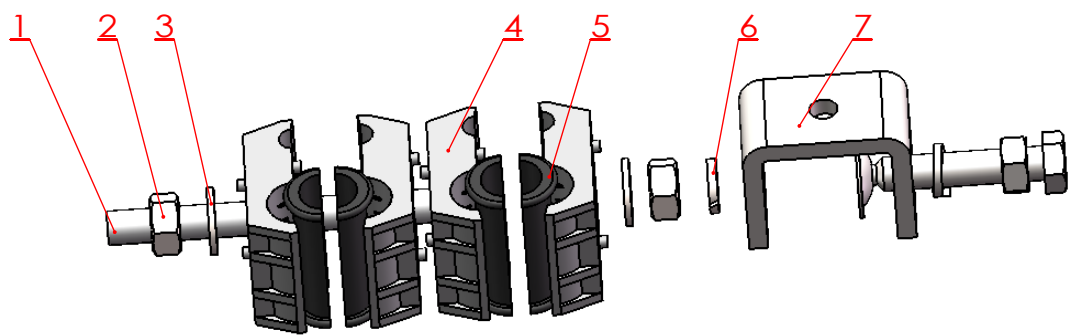
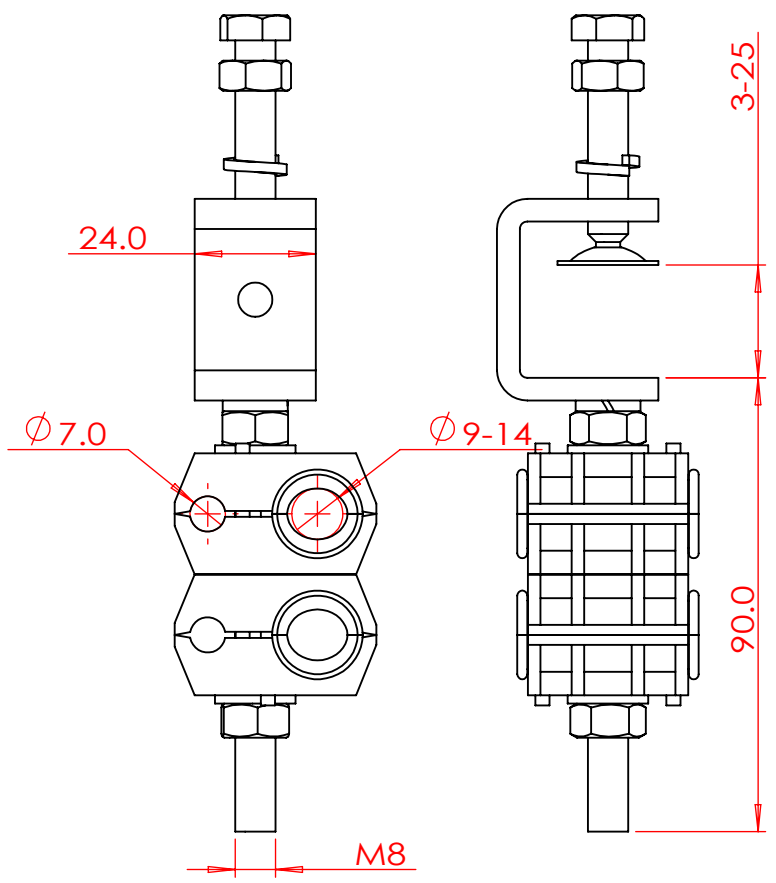


6	7	8
REV	EAC NO.	DESCRIPTION



RELEASE LEVEL:  
FILE NAME:

**MAXDAO**

江苏迈道通信科技有限公司

TITLE:		7+9-14mm cable clamp	
DRAW:	JACKJI	DATE:	2017-08-30
CHKD:		FINISH:	
VRFD:		MASS(Kg):	
APPD:		SCALE:	1:1
PRODUCT:		SHEET:	1 OF 1
		DWG NO.:	10002204
		ITEM NO.:	
		DWG VER:	A
		ITEM REV:	

MAXDAO LIMITED RESERVES THE RIGHT TO CHANGE SPECIFICATION OR CONFIGURATION WITHOUT PRIOR NOTIFICATION. THESE DRAWINGS AND SPECIFICATIONS ARE THE PROPERTY OF MAXDAO LIMITED AND SHOULD NOT BE REPRODUCED OR COPIED WITHOUT WRITTEN PERMISSION.