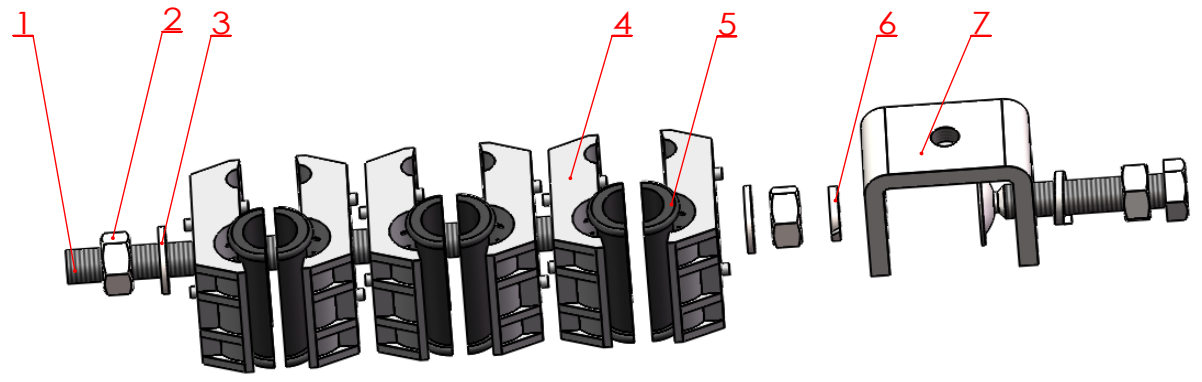
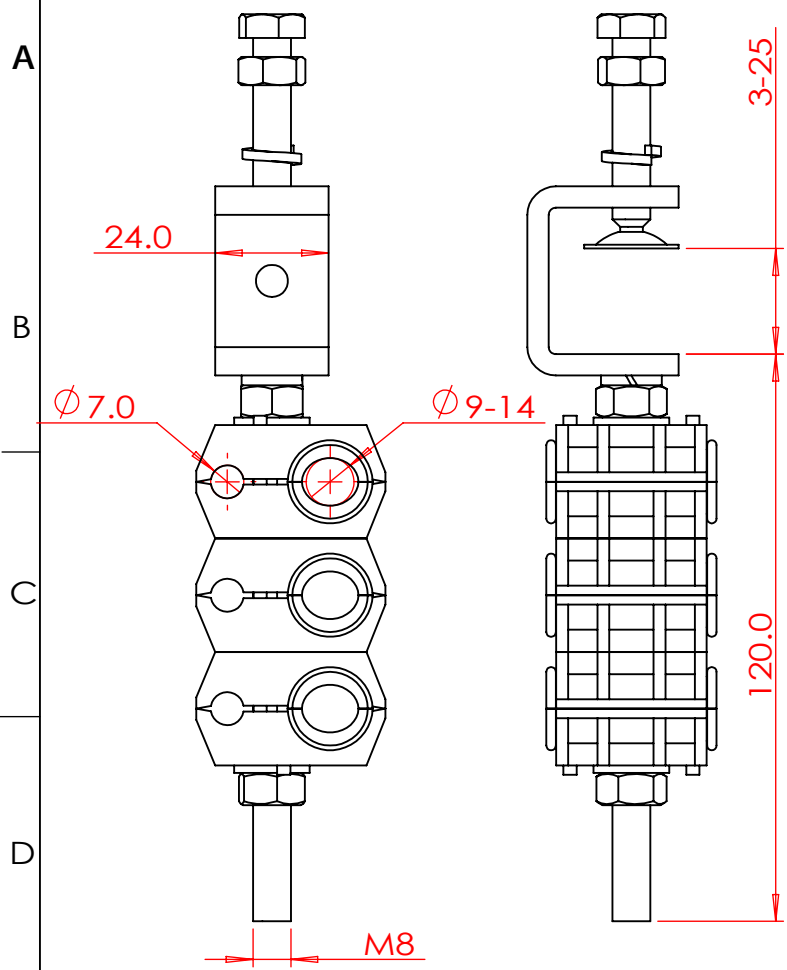


| 6 | 7 | 8 |
|-----|---------|-------------|
| REV | EAC NO. | DESCRIPTION |
| | | |



RELEASE LEVEL:
FILE NAME:

MAXDAO

江苏迈道通信科技有限公司

| | | | |
|--------|------------|----------------------|----------|
| TITLE: | | 7+9-14mm cable clamp | |
| DRAW: | JACKJI | UNITS: | mm |
| DATE: | 2017-08-30 | DWG NO.: | 10002205 |
| CHKD: | | DATE: | |
| DATE: | | FINISH: | A |
| DATE: | | MASS(Kg): | |
| DATE: | | ITEM NO.: | |
| DATE: | | SCALE: | 1:1 |
| DATE: | | SHEET: | 1 OF 1 |
| DATE: | | MAT'L: | |

MAXDAO LIMITED RESERVES THE RIGHT TO CHANGE SPECIFICATION OR CONFIGURATION WITHOUT PRIOR NOTIFICATION. THESE DRAWINGS AND SPECIFICATIONS ARE THE PROPERTY OF MAXDAO LIMITED AND SHOULD NOT BE REPRODUCED OR COPIED WITHOUT WRITTEN PERMISSION.

| | | | |
|----------|--|-------|--|
| VRFD: | | DATE: | |
| APPD: | | DATE: | |
| PRODUCT: | | DATE: | |

