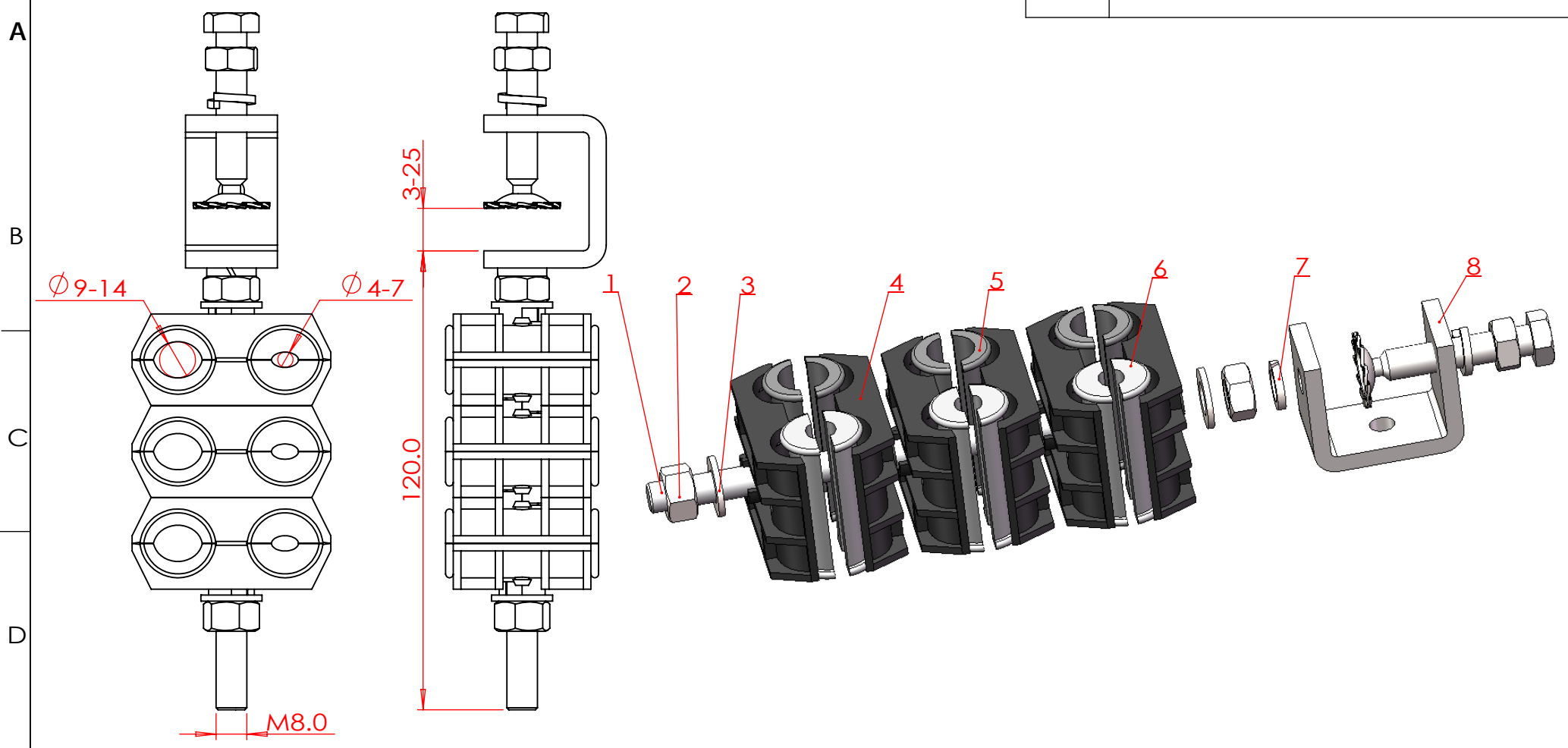


REV	EAC NO.	DESCRIPTION



RELEASE LEVEL:
FILE NAME:

MAXDAO

江苏迈道通信科技有限公司

MAXDAO LIMITED RESERVES THE RIGHT TO CHANGE SPECIFICATION OR CONFIGURATION WITHOUT PRIOR NOTIFICATION. THESE DRAWINGS AND SPECIFICATIONS ARE THE PROPERTY OF MAXDAO LIMITED AND SHOULD NOT BE REPRODUCED OR COPIED WITHOUT WRITTEN PERMISSION.

DRAW: JACKJI
CHKD:
VRFD:
APPD:
PRODUCT:

DATE: 2017-08-29
DATE:
DATE:
DATE:
DATE:

TITLE: 9-14+4-7 fiber power cable clamp
UNITS: mm DWG NO.: 10002797
FINISH: A
MASS(Kg): ITEM NO.:
SCALE: 1:1
SHEET: 1 OF 1 MAT'L:

