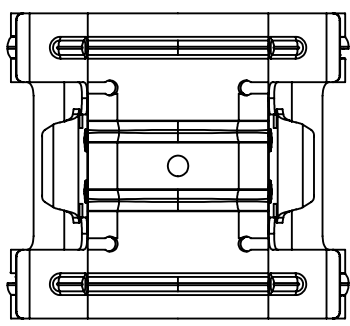
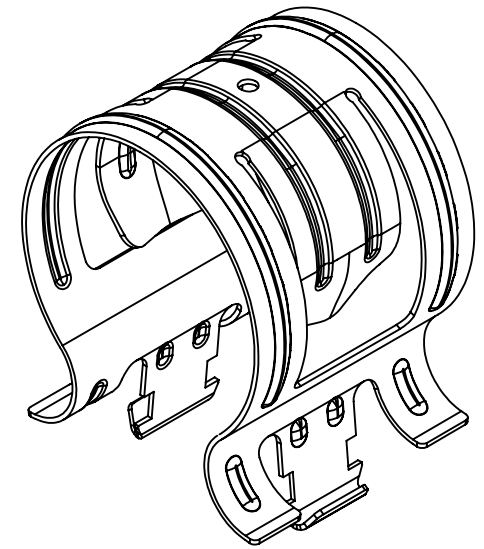
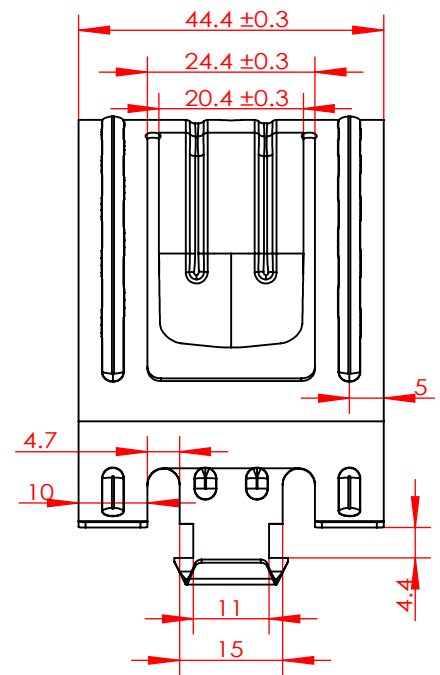
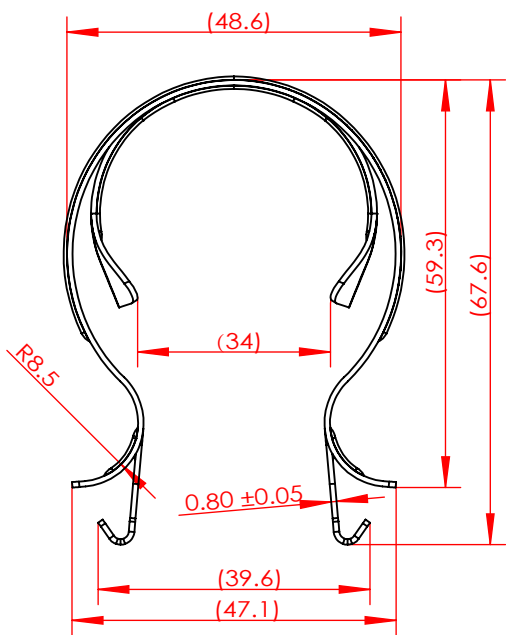


6	7	8
REV	EAC NO.	DESCRIPTION



MAXDAO

江苏迈道通信科技有限公司

TITLE: 1-1/4 snap-in hanger	
UNITS: mm	DWG NO.: 10000423
FINISH:	DWG VER: A
MASS(Kg): 0.05	ITEM NO.:
SCALE: 1:2	ITEM REV:
SHEET: 1 OF 1	MAT'L: SS304

MAXDAO LIMITED RESERVES THE RIGHT TO CHANGE SPECIFICATION OR CONFIGURATION WITHOUT PRIOR NOTIFICATION. THESE DRAWINGS AND SPECIFICATIONS ARE THE PROPERTY OF MAXDAO LIMITED AND SHOULD NOT BE REPRODUCED OR COPIED WITHOUT WRITTEN PERMISSION.

DRAW: XUDEYA	DATE: 2017-01-17
CHKD:	DATE:
VRFD:	DATE:
APPD:	DATE:
PRODUCT:	

RELEASE LEVEL:
FILE NAME: