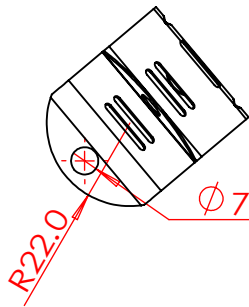
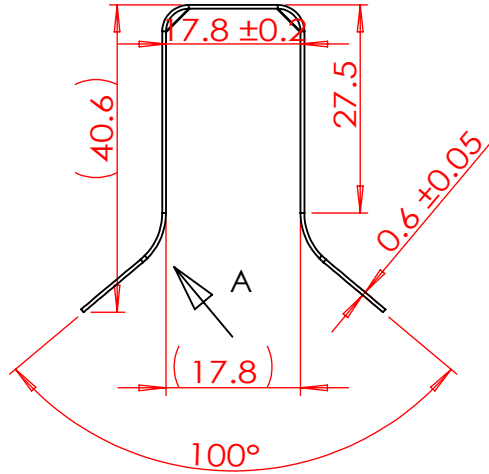


REV	EAC NO.	DESCRIPTION

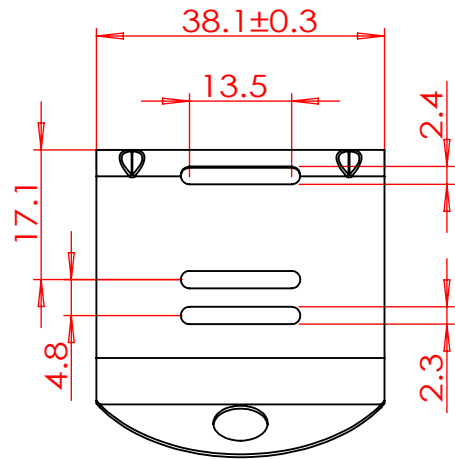


$\phi 7.2 \pm 0.3$

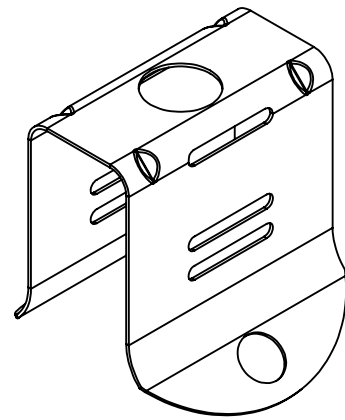
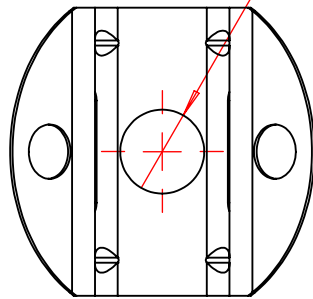
R22.0



100°



$\phi 10.2 \pm 0.3$



MAXDAO

江苏迈道通信科技有限公司

TITLE:

1/2 butterfly hangers

MAXDAO LIMITED RESERVES THE RIGHT TO CHANGE SPECIFICATION OR CONFIGURATION WITHOUT PRIOR NOTIFICATION. THESE DRAWINGS AND SPECIFICATIONS ARE THE PROPERTY OF MAXDAO LIMITED AND SHOULD NOT BE REPRODUCED OR COPIED WITHOUT WRITTEN PERMISSION.

DRAW:	XUDEYA	DATE:	2017-02-24
CHKD:		DATE:	
VRFD:		DATE:	
APPD:		DATE:	
PRODUCT:			

UNITS:	mm	DWG NO.:	10000426	DWG VER:	A
FINISH:		ITEM NO.:		ITEM REV:	
MASS(Kg):	0.01	SCALE:	1:1	MAT'L:	SS304
SHEET:	1 OF 1				

RELEASE LEVEL:
FILE NAME:

A4