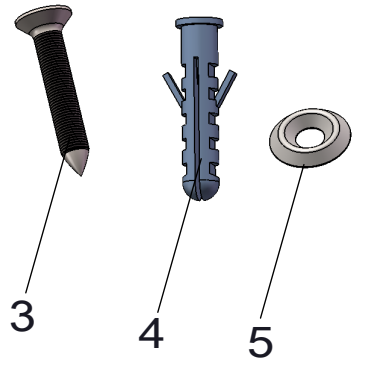
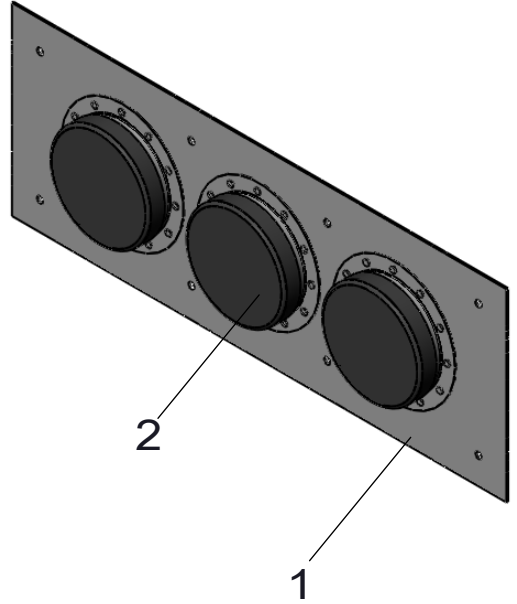
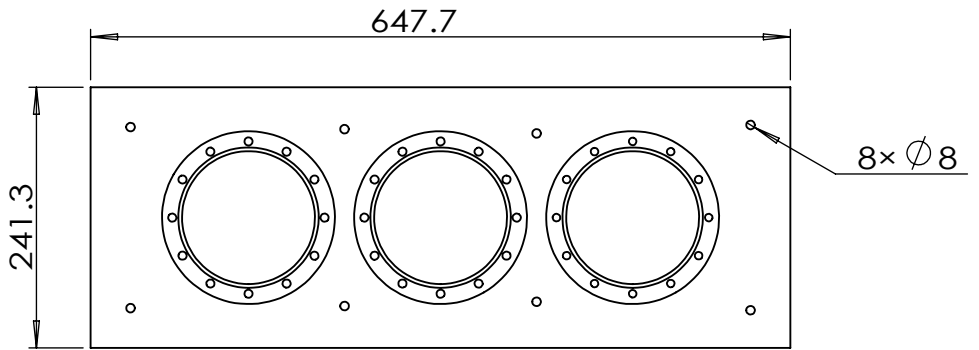
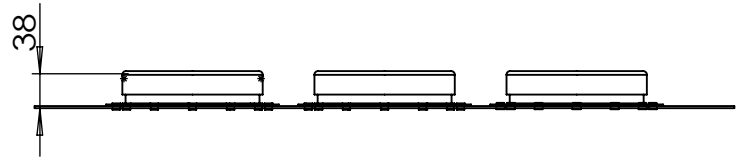


6	7	8
REV	EAC NO.	DESCRIPTION

A
B
C
D
E
F



RELEASE LEVEL:
FILE NAME:

A4

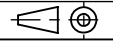
MAXDAO

江苏迈道通信科技有限公司

TITLE:		5" cable entry	
UNITS:	mm	DWG NO.:	10001504
CHKD:	DATE:	FINISH:	A
VRFD:	DATE:	MASS(Kg):	ITEM NO.:
APPD:	DATE:	SCALE:	1:1
PRODUCT:		SHEET:	1 OF 1
		MAT'L:	

MAXDAO LIMITED RESERVES THE RIGHT TO CHANGE SPECIFICATION OR CONFIGURATION WITHOUT PRIOR NOTIFICATION. THESE DRAWINGS AND SPECIFICATIONS ARE THE PROPERTY OF MAXDAO LIMITED AND SHOULD NOT BE REPRODUCED OR COPIED WITHOUT WRITTEN PERMISSION.

DRAW:	YAOWEIJIE	DATE:	2017-03-31
CHKD:		DATE:	
VRFD:		DATE:	
APPD:		DATE:	
PRODUCT:			



1 2 3 4 5 6 7 8