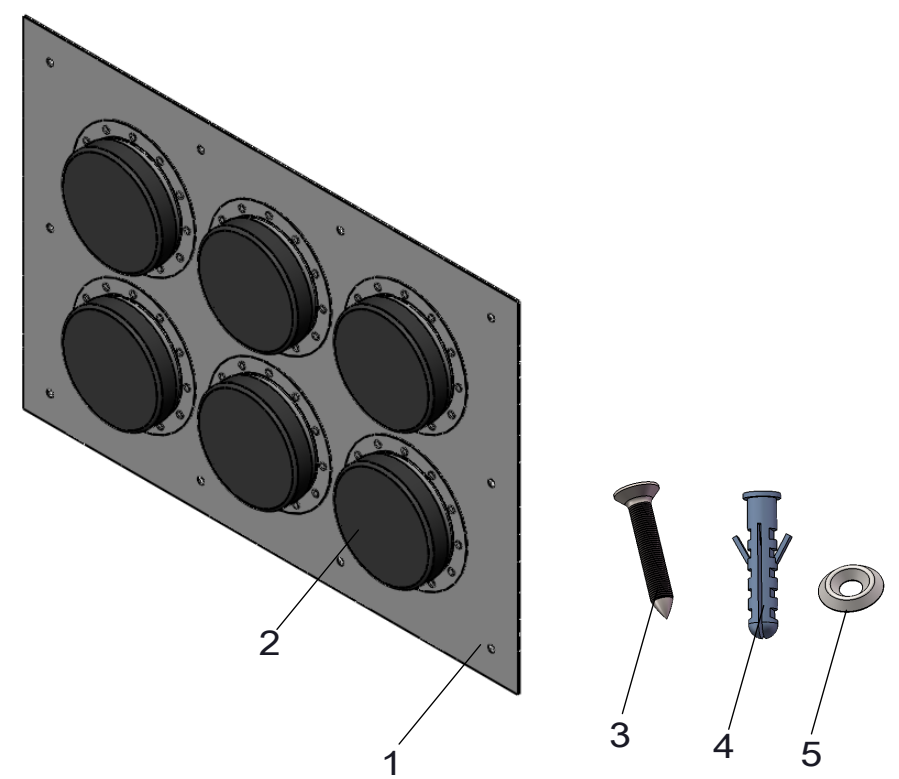
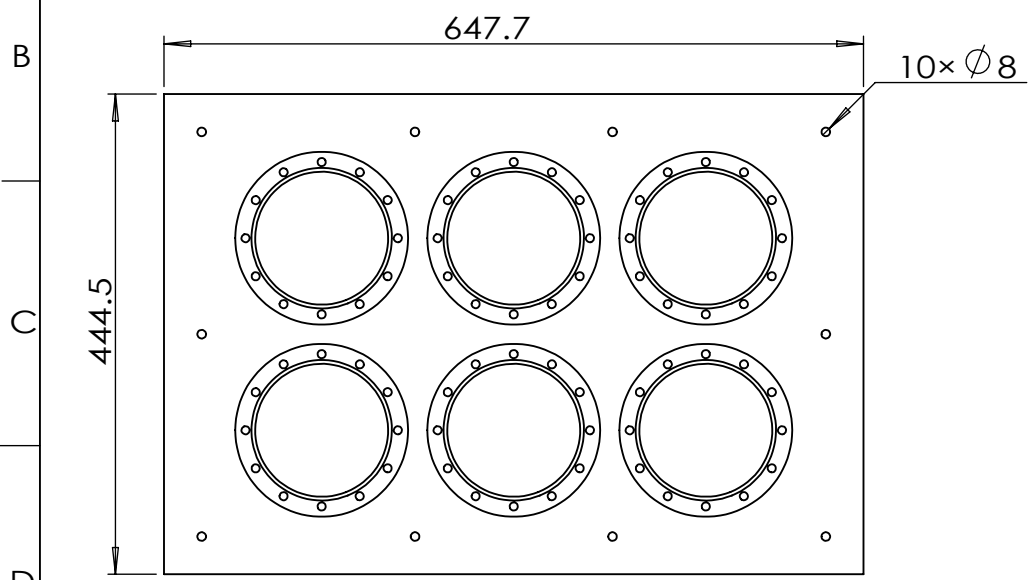
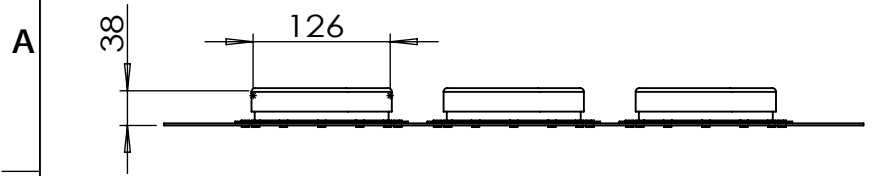


6	7	8
REV	EAC NO.	DESCRIPTION



RELEASE LEVEL:  
FILE NAME:

**MAXDAO**

江苏迈道通信科技有限公司

TITLE:		5" cable entry, 2x3	
UNITS:	mm	DWG NO.:	10001505
FINISH:		ITEM NO.:	
MASS(Kg):		DWG VER:	A
SCALE:	1:1	ITEM REV:	
SHEET:	1 OF 1	MAT'L:	

MAXDAO LIMITED RESERVES THE RIGHT TO CHANGE SPECIFICATION OR CONFIGURATION WITHOUT PRIOR NOTIFICATION. THESE DRAWINGS AND SPECIFICATIONS ARE THE PROPERTY OF MAXDAO LIMITED AND SHOULD NOT BE REPRODUCED OR COPIED WITHOUT WRITTEN PERMISSION.

DRAW:	YAOWEIJIE	DATE:	2017-03-31
CHKD:		DATE:	
VRFD:		DATE:	
APPD:		DATE:	
PRODUCT:			

