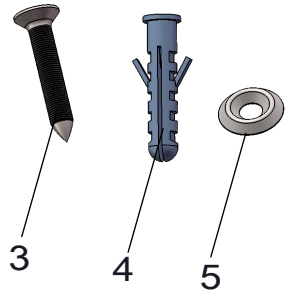
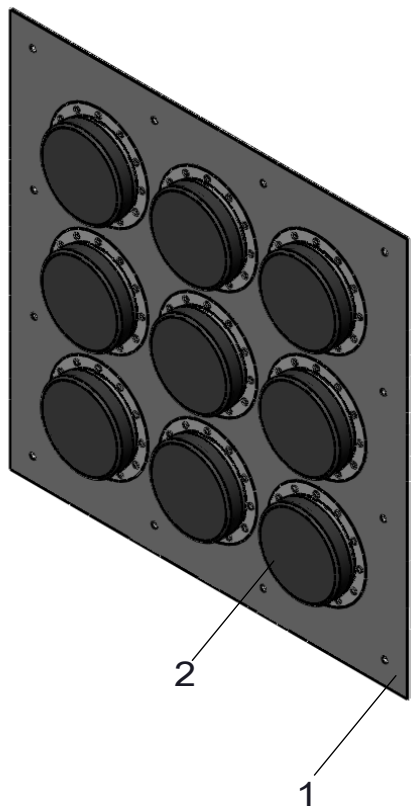
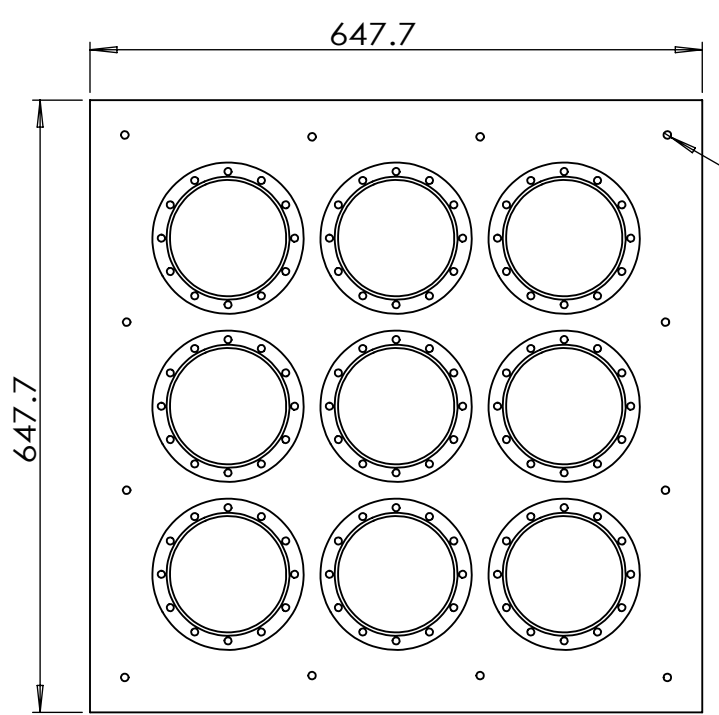
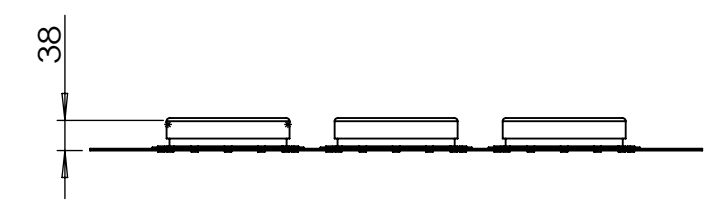


6	7	8
REV	EAC NO.	DESCRIPTION



RELEASE LEVEL:
FILE NAME:

/件		/件	
MAXDAO 江苏迈道通信科技有限公司		5" cable entry, 3x3	
MAXDAO LIMITED RESERVES THE RIGHT TO CHANGE SPECIFICATION OR CONFIGURATION WITHOUT PRIOR NOTIFICATION. THESE DRAWINGS AND SPECIFICATIONS ARE THE PROPERTY OF MAXDAO LIMITED AND SHOULD NOT BE REPRODUCED OR COPIED WITHOUT WRITTEN PERMISSION.	DRAW: YAOWEIJIE	DATE: 2017-03-31	UNITS: mm
	CHKD:	DATE:	FINISH: 10001506
	VRFD:	DATE:	MASS(Kg):
	APPD:	DATE:	SCALE: 1:1
	PRODUCT:	SHEET: 1 OF 1	MAT'L:
			DWG VER: A
			ITEM NO.:
			ITEM REV: