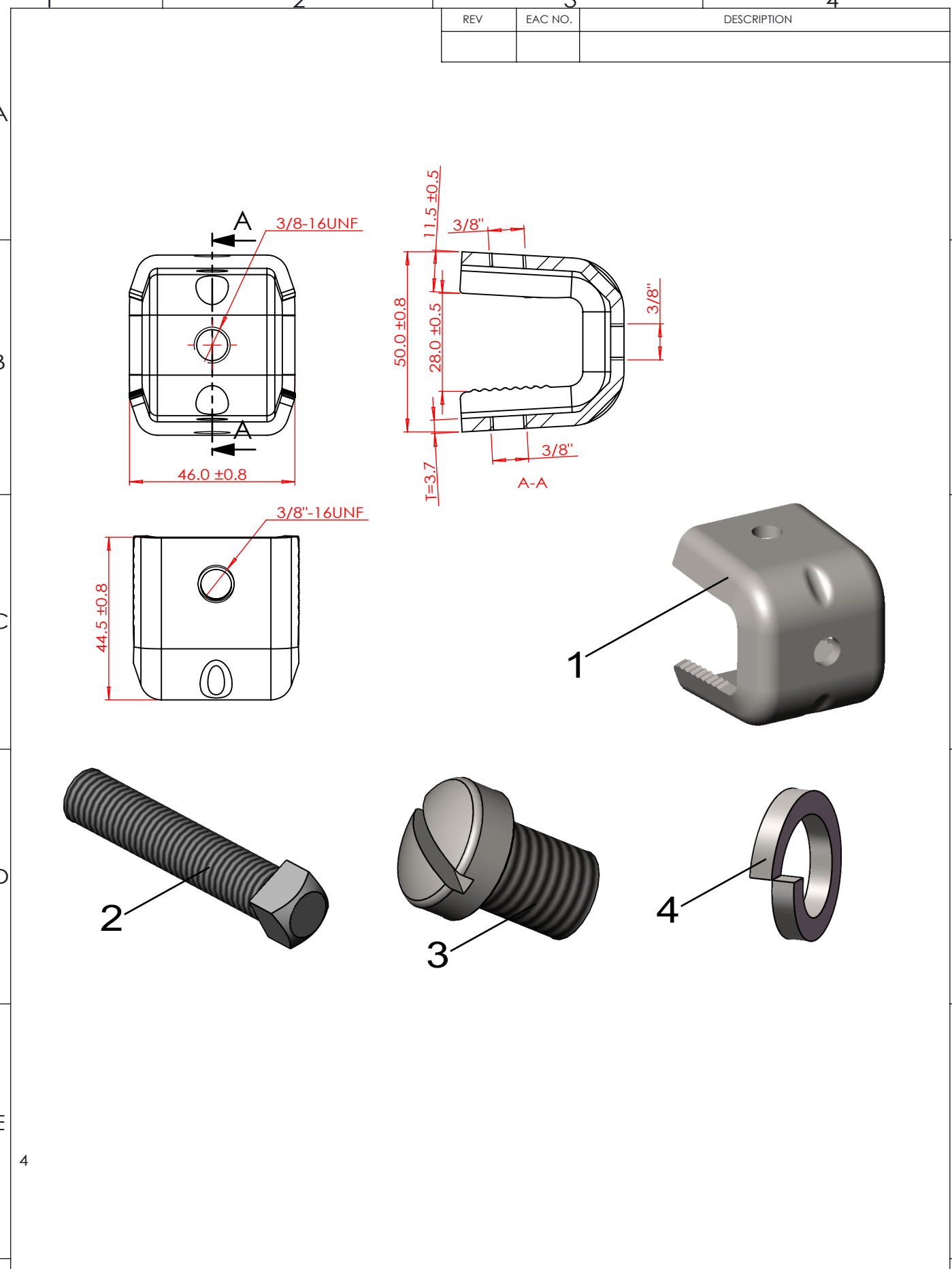


REV	EAC NO.	DESCRIPTION



MAXDAO 江苏迈道通信科技有限公司 MAXDAO LIMITED RESERVES THE RIGHT TO CHANGE SPECIFICATION OR CONFIGURATION WITHOUT PRIOR NOTIFICATION. THESE DRAWINGS AND SPECIFICATIONS ARE THE PROPERTY OF MAXDAO LIMITED AND SHOULD NOT BE REPRODUCED OR COPIED WITHOUT WRITTEN PERMISSION.	DRAW:	YAOWEIJIE	DATE:	2017-03-23	UNITS:	mm	DWG NO.:	10002335	DWG VER:	A
	CHKD:		DATE:		FINISH:		ITEM NO.:		ITEM REV:	
	VRFD:		DATE:		SCALE:	1:1				
	APPD:		DATE:		SHEET:	1 OF 1	MAT'L:			
	PRODUCT:									
	TITLE: 3x3/8" 3.7mm angle adapter									

RELEASE LEVEL:
FILE NAME: