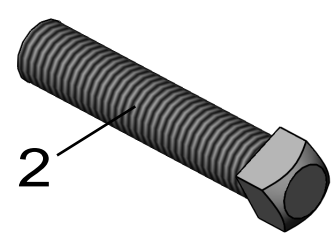
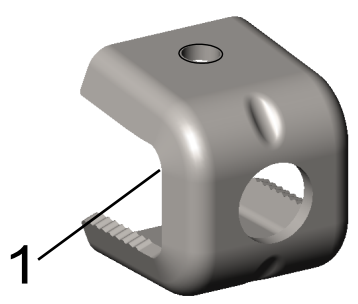
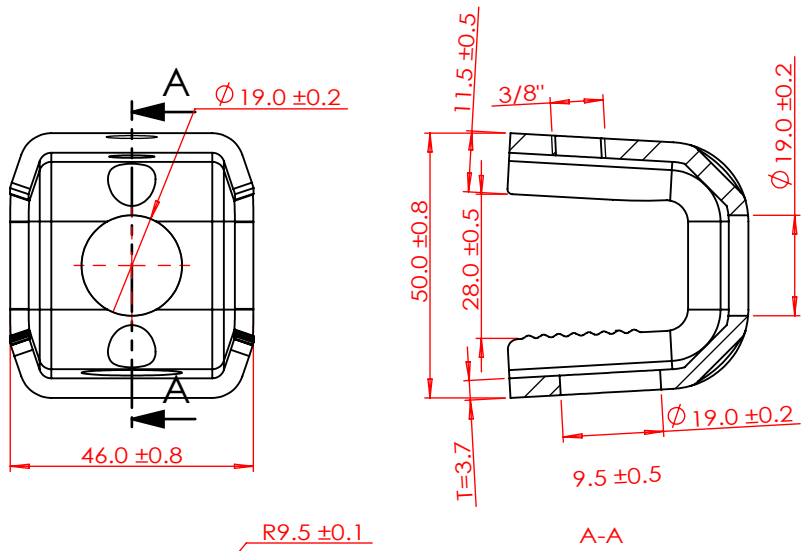


REV	EAC NO.	DESCRIPTION



MAXDAO

江苏迈道通信科技有限公司

TITLE: 2x3/4"+1x3/8" angle adapter kit

MAXDAO LIMITED RESERVES THE RIGHT TO CHANGE SPECIFICATION OR CONFIGURATION WITHOUT PRIOR NOTIFICATION. THESE DRAWINGS AND SPECIFICATIONS ARE THE PROPERTY OF MAXDAO LIMITED AND SHOULD NOT BE REPRODUCED OR COPIED WITHOUT WRITTEN PERMISSION.

DRAW: YAOWEIJIE	DATE: 2017-03-24	UNITS: mm	DWG NO.: 10002336	DWG VER: A
CHKD:	DATE:	FINISH:	ITEM NO.:	ITEM REV:
VRFD:	DATE:	MASS(Kg):		
APPD:	DATE:	SCALE: 1:1		
PRODUCT:		SHEET: 1 OF 1	MAT'L:	

RELEASE LEVEL:
FILE NAME: