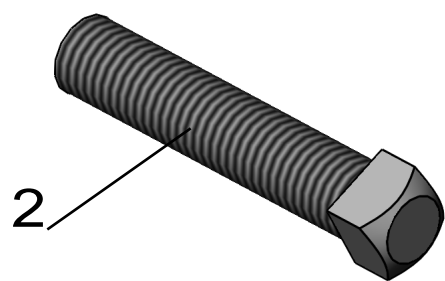
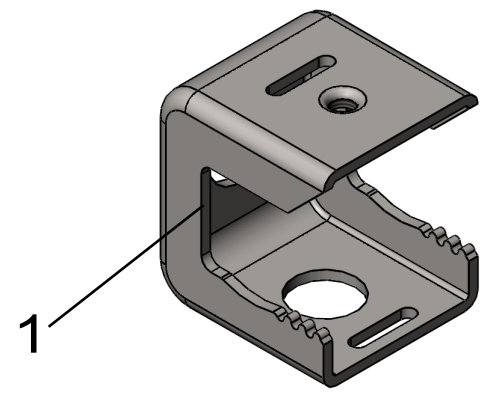
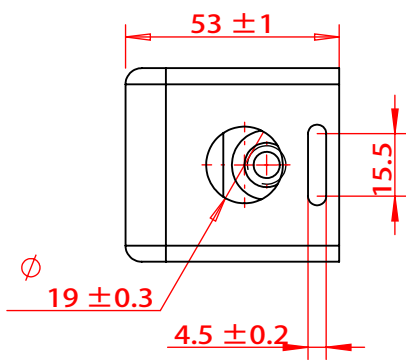
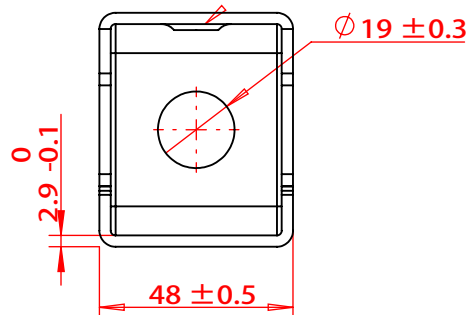
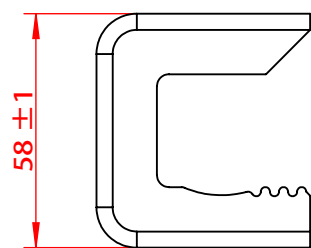
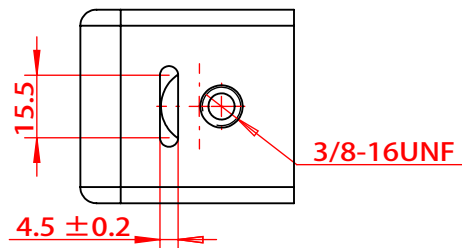


REV	EAC NO.	DESCRIPTION



**MAXDAO**

江苏迈道通信科技有限公司

TITLE: 1x3/8"+2x3/4" 2.9mm angle adapter

MAXDAO LIMITED RESERVES THE RIGHT TO CHANGE SPECIFICATION OR CONFIGURATION WITHOUT PRIOR NOTIFICATION. THESE DRAWINGS AND SPECIFICATIONS ARE THE PROPERTY OF MAXDAO LIMITED AND SHOULD NOT BE REPRODUCED OR COPIED WITHOUT WRITTEN PERMISSION.

DRAW: YAOWEIJIE	DATE: 2017-03-24	UNITS: mm	DWG NO.: 10002357	DWG VER: A
CHKD:	DATE:	FINISH:	ITEM NO.:	ITEM REV:
VRFD:	DATE:	MASS(Kg):		
APPD:	DATE:	SCALE: 1:1		
PRODUCT:		SHEET: 1 OF 1	MAT'L:	

RELEASE LEVEL:  
FILE NAME: