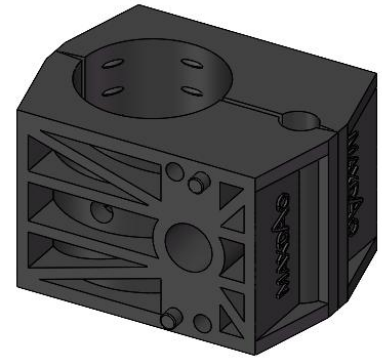


Cable Block Hanger, Double Type, for 28+8 mm Cable

- Easy and quick installation
- Robust design & material for outdoor / indoor use
- The design of cylindrical pin holds blocks in place when stacked



Product Classification

Material Number	6005105
Part Number	-
Status	Active
Detail Description	Block hanger for 14+8 mm cable, double runs

General Specifications

Material	PP
Color	Black
Mark	MAXDAO
Mounting	Mounting hole for M8 threaded rod

Dimensions

Height	1.26 in 32 mm
Width	1.654 in 42 mm
Length	2.165 in 55 mm
Compatible Cable Jacket OD, maximum	1.102 in 28 mm
Compatible Cable Jacket OD, minimum	0.315 in 8 mm

Environmental Specifications

Operating Temperature	-40 °C to +85 °C (-40 °F to +185 °F)
Environmental Strength Capability	Double cable weight
UV Resistance	≥1000 hours, base on ISO4892.3-1994

Packaging and Weights

Bag, Height	1.26 in 32 mm
Bag, Width	8.661 in 220 mm
Bag, Length	12.598 in 320 mm

For more information, please visit:
www.maxdao.com



©Copyright 2023 Maxdao Inc. All rights reserved.

The information contained herein is subject to change without notice. We reserve the right to make technical changes or modify the contents of this document without prior notice.

Revised: Mar 8, 2023

Public

Included	Double Block Hanger
Packaging quantity and UOM	Kit of 10
Weight, gross	0.529 lb 0.24 kg

Certifications and Compliance

ISO 9001:2015	Designed, manufactured and/or distributed under this quality management system
ROHS	Compliant

