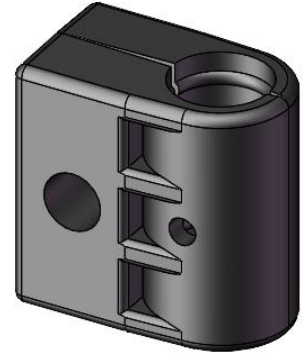


## Cable Block Hanger, Single Type, for 1/2 in Cable

- Easy and quick installation
- Robust design & material for outdoor / indoor use



### Product Classification

|                    |   |
|--------------------|---|
| Material Number    | 6000607                                   |
| Part Number        | -   |
| Status             | Active                                    |
| Detail Description | Block hanger for 1/2 in cable, single run |

### General Specifications

|          |                                   |
|----------|-----------------------------------|
| Material | PA6                               |
| Color    | Black                             |
| Mounting | Mounting hole for M8 threaded rod |

### Dimensions

|                                     |                    |
|-------------------------------------|--------------------|
| Height                              | 1.437 in   36.5 mm |
| Width                               | 0.945 in   24 mm   |
| Length                              | 1.496 in   38 mm   |
| Compatible Cable Jacket OD, maximum | 0.63 in   16 mm    |
| Compatible Cable Jacket OD, minimum | 0.591 in   15 mm   |
| Normal Size                         | 1/2 in             |

### Environmental Specifications

|                                   |                                      |
|-----------------------------------|--------------------------------------|
| Operating Temperature             | -40 °C to +85 °C (-40 °F to +185 °F) |
| Environmental Strength Capability | Double cable weight                  |
| UV Resistance                     | ≥1000 hours, base on ISO4892.3-1994  |

### Packaging and Weights

|            |                   |
|------------|-------------------|
| Bag,Height | 1.457 in   37 mm  |
| Bag,Width  | 5.512 in   140 mm |
| Bag,Length | 7.874 in   200 mm |

|                            |                     |
|----------------------------|---------------------|
| Included                   | Double Block Hanger |
| Packaging quantity and UOM | Kit of 10           |
| Weight, gross              | 0.353 lb   0.16 kg  |

---

**Certifications and Compliance**

---

|               |  |
|---------------|--|
| ISO 9001:2015 | Designed, manufactured and/or distributed under this quality management system |
| ROHS          | Compliant  |

